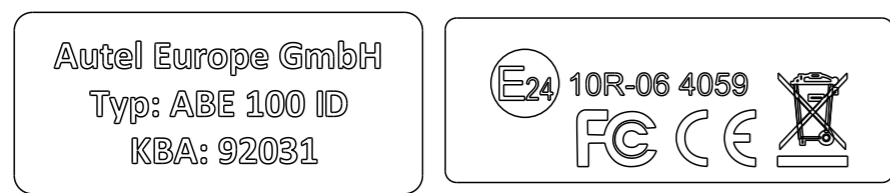


REV	POSITION	DATE	DESCRIPTION



label information

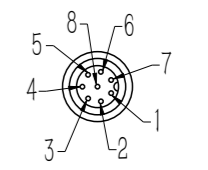
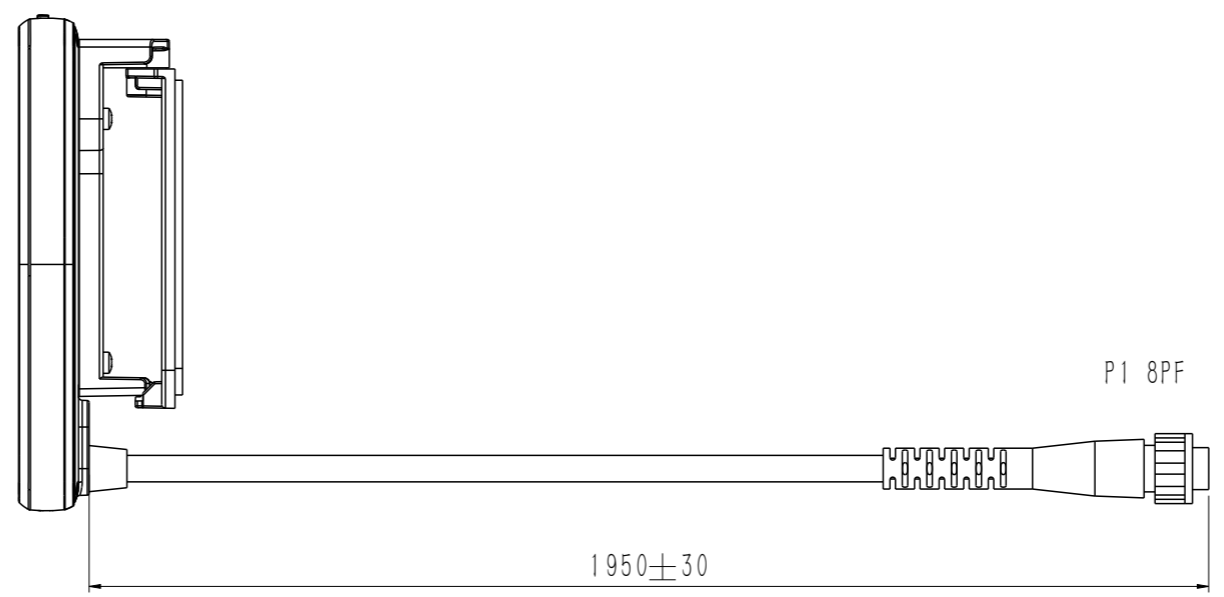
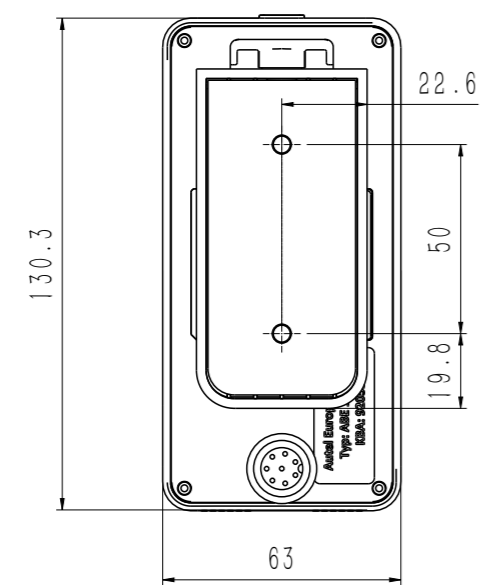
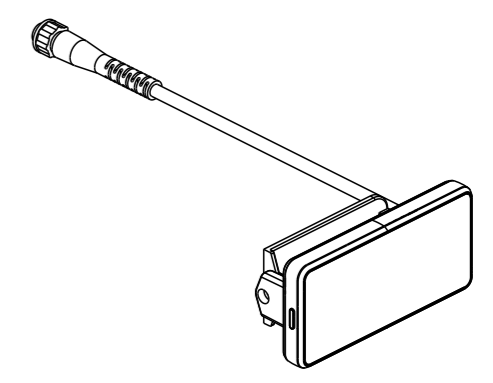


Table 1: Definition of Gps Interface P1

No.	Definition	Range	Cable color
1	CAN_FD_H	-58~58V DC	White
2	CAN_FD_L	-58~58V DC	Violet
3	VCC	8~32V DC	Red
4	GND	0V DC	Black
5	GPS_1 Rx	0~5V DC	Blue
6	GPS_2 Tx	0~5V DC	Orange
7	VCC_GPS	5V DC	Green
8	GND_GPS	0V DC	Yellow

Table 2: Information

Product number	105000026
Voltage	8~32V
Max current	1.05A
Operating temperature	-40~85℃
Storage temperature	-55~100℃
IP rating	IP32
EOL test	No

Notes:  
105000038 is the customized Brigade system for UK(with left side display and radar).  
This drawing is standard Autel drawings with it's part numbers and Autel Logo. But  
Brigade customized version doesn't have any logos, so these part number are different.

±TOL				AUTEL 道通科技股份有限公司 Autel Intelligent Technology Corp., Ltd.		TITLE: SCREEN	
DIM	Plastic	Sheetmetal	Machining	DRAW: Jianbing Zhang	UNIT'S: mm	DWG NO.: SCREEN	
0~30	0.20	0.15	0.10	These Drawings And Specification Are The Property Of AUTEL. And Shall NOT Be Reproduced Copied Or Used In Any Manner Without The Prior Written Consent Of AUTEL.	CHKD: Haibin Lu	FINISH: /	PART NO.: 105000026
30~120	0.35	0.25	0.15		STAD: Guangping Ou	MASS(Kg): [0.25]	
120~300	0.65	0.35	0.20		APPD: Dengguo Zhang	SCALE: 1:2	MATERIAL: PC+ABS/PVC
300~600	1.10	0.50	0.25		SHEET:   OF	PRODUCT: ASR100	
600~1200	1.75	0.60	0.30		PROJ		
>1200	2.10	0.80	0.50				
ANG	/	1°	30'				

RELEASE LEVEL: [ ]  
FILE NAME: SCREEN